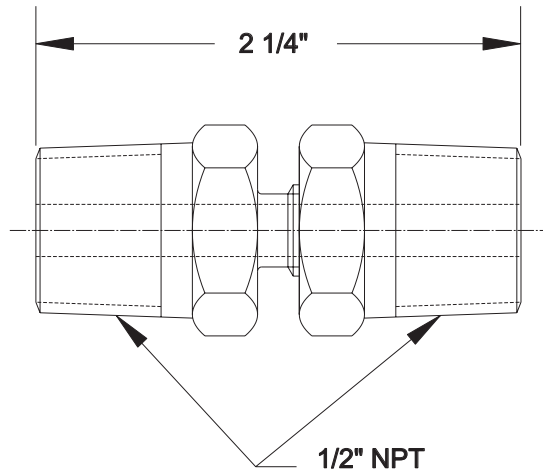


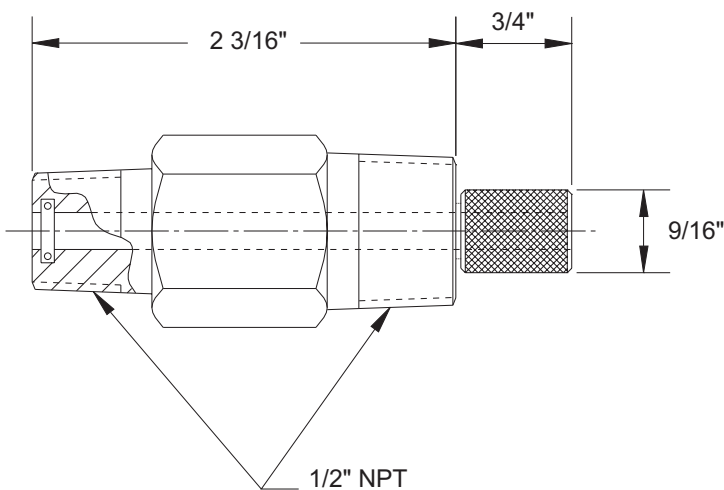
TYPE 78 Double Male Compression Fitting for 1/4" Probe



| MATERIAL | TEMP-PRO TYPE |
|--|---------------|
| CARBON STEEL - NICKEL PLATED | 781 |
| STAINLESS STEEL | 782 |
| FOR FERRULE TYPE ADD SUFFIX: T FOR TEFLON * M FOR METAL ▲ | |
| * Adjustable (425°F Max) ▲ Fixed after initial adjustment (1560°F Max) | |

TYPE 783 Spring Loaded Fitting Stainless Steel for 1/4" Probe

20 P.S.I.G. Seal
Temperature Limit 260°C (500°F)



| MODEL NUMBER | PROBE DIAMETER | BODY MATERIAL |
|--------------|----------------|---------------------------|
| -1 | .188 | STEEL NICKEL PLATED |
| -2 | .215 | |
| -3 | .250 | |
| -4 | .188 | 316 STAINLESS STEEL |
| -5 | .215 | |
| -6 | .250 | |

