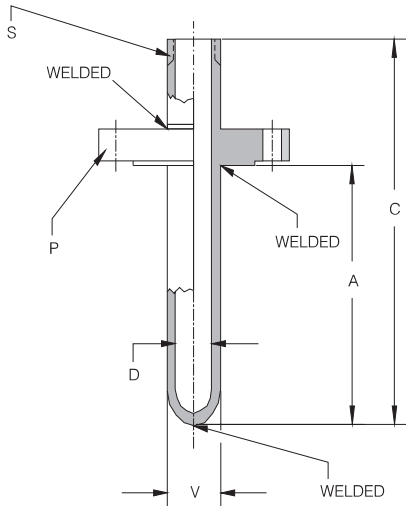


## FLANGED PIPE PROTECTION TUBES - TYPE 173

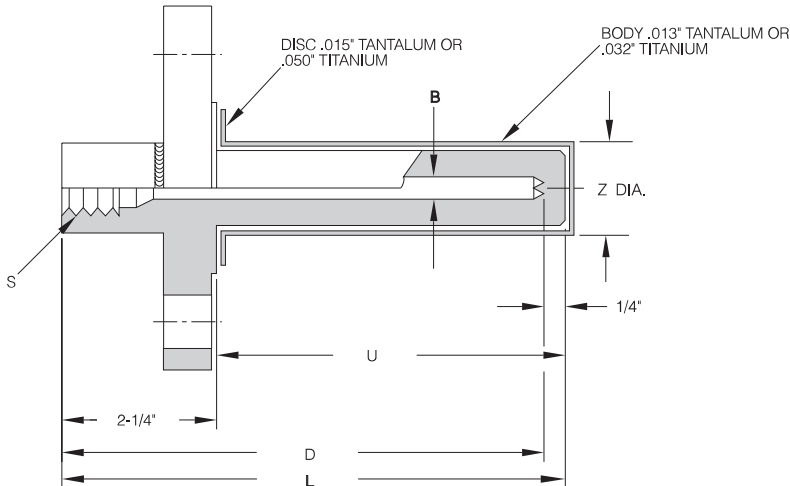
Pipe Size.....1/4", 1/2", 3/4", 1"  
Pipe Schedule.....40, 80



PIPE SIZE	(S) INSTR. CONN.	PIPE SCHED.	(V) NOM. O.D.	(D) NOM. I.D.	PART #	PIPE MAT.	(P) FLANGE	(C) OVER. LGTH.	(A) INSERT LGTH.
1/4"	1/4" NPT	40	.540"	.364"	T-173-001	HAS TO BE SPECIFIED			
		80		.302"	T-173-002				
1/2"	1/2" NPT	40	.840"	.622"	T-173-003				
		80		.622"	T-173-004				
3/4"	3/4" NPT	40	1.05"	.824"	T-173-005				
		80		.742"	T-173-006				
1"	1" NPT	40	1.315"	1.049"	T-173-007				
		80		.957"	T-173-008				

EXAMPLE: T-173-005 316 2-150R C18A12

## WETTED PARTS TANTALUM OR TITANIUM SHEATHED SPECIAL FLANGE THERMOWELLS - TYPE 49



TEMP-PRO	BORE DIAMETER	OD	STANDARD	OPTIONAL "S" AVAILABLE	
				MIN NPT	MIN UNS
P/N	B	Z	S NPT		
4901	0.197	0.5	1/2	1/8	3/8
4902	0.260	0.5	1/2	1/8	3/8
4903	0.328	0.75	1/2	1/8	3/8
4904	0.385	0.75	1/2	1/4	1/2
4905	0.437	0.75	1/2	1/4	1/2
4906	0.510	0.75	1/2	3/8	5/8
4907	0.575	0.875	1/2	3/8	5/8
4908	0.635	0.875	1/2	1/2	3/4
4909	0.709	0.875	1/2	1/2	3/4
4910	0.765	1	3/4	3/4	1
4911	0.885	1	3/4	3/4	1
4912	1.015	1.25	1	1	1-1/4

**TO ORDER - SPECIFY:**

1. P/N
2. Carbon steel or 304 SS material
3. Size S unless using standard (See Table)
4. Dimension U
5. Flange size, rating, type
6. Sheath Material (TAN. or TI.)

EXAMPLE: 4904 304 U9 1-150R TAN

