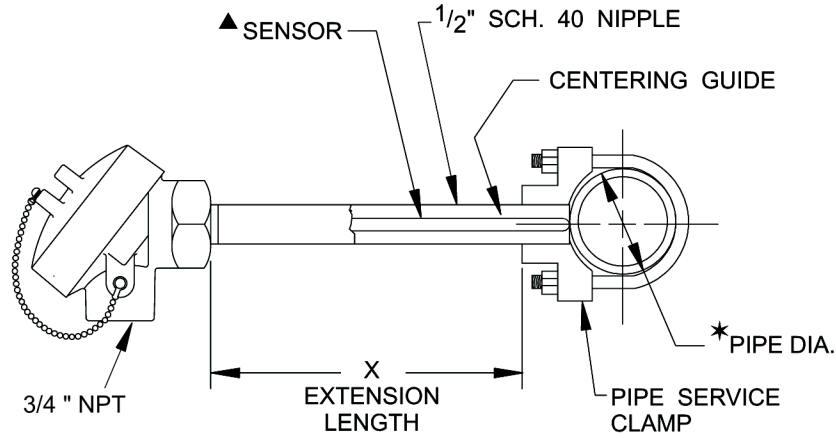


TYPE 09 Spring Loaded Pipe Clamp Assembly



▲ MgO insulated for thermocouple, Al₂O₃ insulated for RTD.
 * Specify pipe diameter.

LINE #	EXTENSION		SENSOR				
	MATERIAL	DIM. X	DIAMETER	TYPE	# OF WIRES	SHEATH MATERIAL	MEASURING JUNCTION
1	ALUM.	3 1/2	1/4	J		316 SS	GROUNDED
2	304 SS	4	3/16	K	2	INC.	UNGROUNDED
3	C.S.	5		E	3	OTHER ADVISE	OTHER ADVISE
4	OTHER ADVISE	5 1/2		T	4		NOT APPLICABLE
5		OTHER ADVISE		100 OHM PLAT.			
6				OTHER ADVISE	6		

P/N 09 —

Complete using the line number for each column in sequence from left to right.

