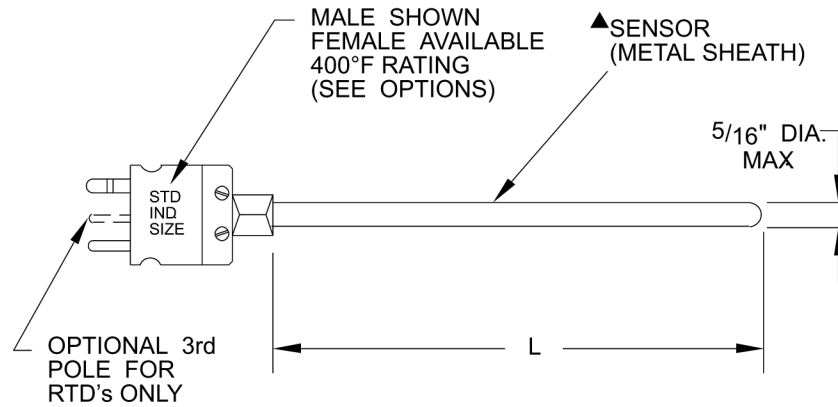


TYPE 06 Sensor with Plug Connection



▲ MgO insulated for thermocouple, Al₂O₃ insulated for R.T.D.

| SENSOR | | | | | | |
|--------|----------------|---------------|---------------|--------------|--------------------|--|
| LINE # | DIAMETER | TYPE | # OF CONTACTS | SHEATH MAT'L | MEASURING JUNCTION | OPTIONS |
| 1 | 5/16 | J | | 316 SS | GROUNDED | ★ COMPRESSION FITTING |
| 2 | 1/4 | K | 2 | INC. | UNGROUNDED | FEMALE TYPE |
| 3 | 3/16 | E | 3 | OTHER ADVISE | EXPOSED | WITH JACK OR PLUG HAVING CABLE CLAMP ADAPTOR |
| 4 | SMALLER ADVISE | T | 4 | | OTHER ADVISE | † BUSHING DRILLED AND WELDED IN PLACE |
| 5 | | 100 OHM PLAT. | | | NOT APPLICABLE | HI-TEMP CERAMIC PLUG OR JACK |
| 6 | | OTHER ADVISE | 6 | | | OTHER ADVISE |

P/N 06 —

| | | | | | |
|---|---|---|---|---|---|
| □ | □ | □ | □ | □ | □ |
|---|---|---|---|---|---|

Complete using the line number for each column in sequence from left to right.
Specify: Dimension "L"

★ Specify: Material, NPT and type ferrule (Teflon for readjustment, metal for fixed position) - see pg. 22

† Specify: Material, NPT and location

