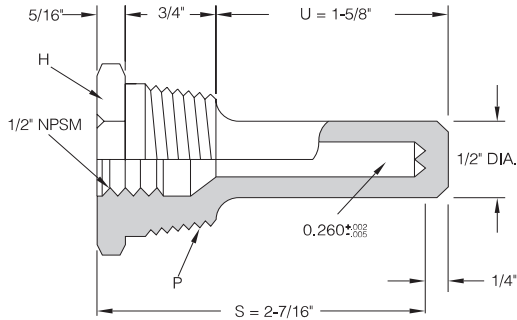
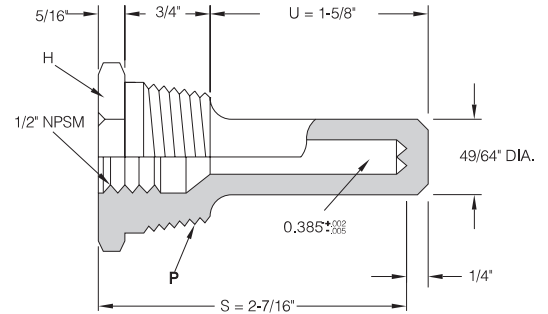


Limited Space, Threaded, Straight Shank

1/4" NOMINAL BORE



3/8" NOMINAL BORE



LEGEND

P = Process Connection
NPT
H = Hex size across flats

MATERIAL	H	P	PART #
Brass	1-1/8"	3/4	75 W 0162 SM 260AA
	1-3/8"	1	10 W 0162 SM 260AA
Carbon Steel	1-1/8"	3/4	75 W 0162 SM 260B
	1-3/8"	1	10 W 0162 SM 260B
AISI 304	1-1/8"	3/4	75 W 0162 SM 260C
	1-3/8"	1	10 W 0162 SM 260C
AISI 316	1-1/8"	3/4	75 W 0162 SM 260S
	1-3/8"	1	10 W 0162 SM 260S

MATERIAL	H	P	PART #
BRASS	1-1/8"	3/4	75 W 0162 SM 385AA
	1-3/8"	1	10 W 0162 SM 385AA
CARBON STEEL	1-1/8"	3/4	75 W 0162 SM 385B
	1-3/8"	1	10 W 0162 SM 385B
AISI 304	1-1/8"	3/4	75 W 0162 SM 385C
	1-3/8"	1	10 W 0162 SM 385C
AISI 316	1-1/8"	3/4	75 W 0162 SM 385S
	1-3/8"	1	10 W 0162 SM 385S

1. Due to the short insertion length of this thermowell, significant temperature indication error is to be expected. This will be greatly increased when the sensitive portion of the instrument exceeds 1-1/2" in length.

2. To order plug and chain add a suffix to the part number. For brass, add 1. For stainless, add 2.

