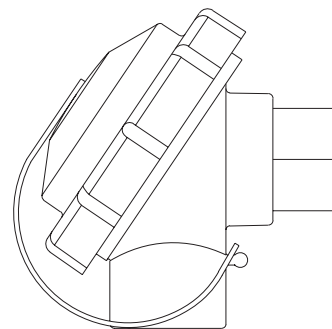
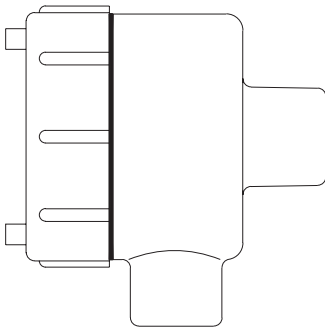
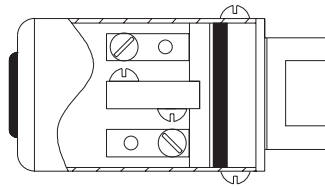
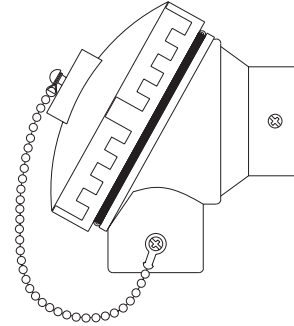
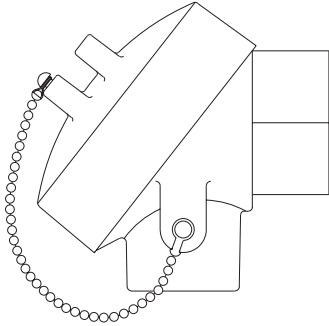


### TERMINAL HEADS



#### **MATERIALS**

- Aluminum
- Cast Iron
- Polypropylene
- Stainless Steel

#### **TERMINAL BLOCKS**

- 2, 3, 4, 6 Wire
- Fixed
- Spring Loaded
- Terminal Strips

#### **SIZES**

- 1/2" through 1" process
- 1/2 or 3/4" conduit
- Bushings available for various modifications

#### **STD FINISH**

- Zinc plating
- Epoxy coating
- Rubber coating
- Polished

#### **RATING**

- Explosion Proof
- NEMA
- CENELEC
- International Electrotechnical Commission (IEC)
- UL Listed
- National Electrical Code (NEC)

#### **OPTIONS**

- Ground screw
- In-head transmitter
- Miniature style heads

