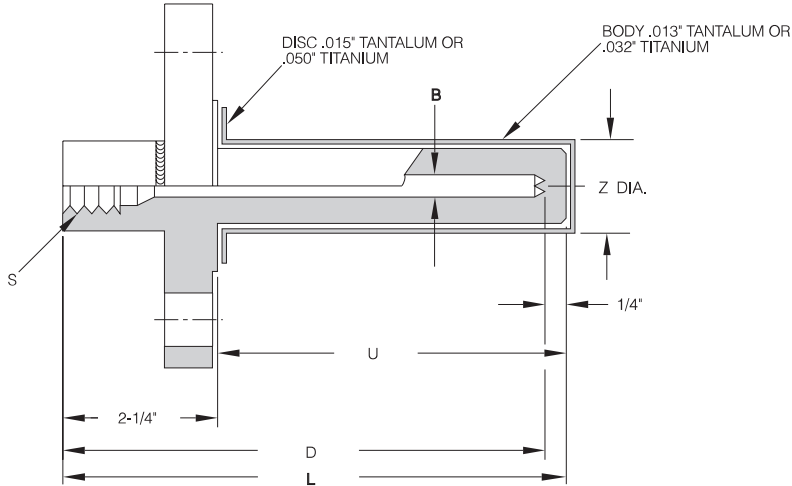


### TYPE 49 - TANTALUM OR TITANIUM SHEATHED THERMOWELLS



TEMP-PRO P/N	BORE DIAMETER B	OD Z	STANDARD S NPT	OPTIONAL "S" AVAILABLE	
				MIN NPT	MIN UNS
4901	0.197	0.5	1/2	1/8	3/8
4902	0.260	0.5	1/2	1/8	3/8
4903	0.328	0.75	1/2	1/8	3/8
4904	0.385	0.75	1/2	1/4	1/2
4905	0.437	0.75	1/2	1/4	1/2
4906	0.510	0.75	1/2	3/8	5/8
4907	0.575	0.875	1/2	3/8	5/8
4908	0.635	0.875	1/2	1/2	3/4
4909	0.709	0.875	1/2	1/2	3/4
4910	0.765	1	3/4	3/4	1
4911	0.885	1	3/4	3/4	1
4912	1.015	1.25	1	1	1-1/4

**TO ORDER - SPECIFY:**

1. P/N
2. Carbon steel or 304 SS material
3. Size S unless using standard (See Table)
4. Dimension U
5. Flange size, rating, type
6. Sheath Material (TAN. or TI.)

EXAMPLE: 4904 304 U9 1-150R TAN

