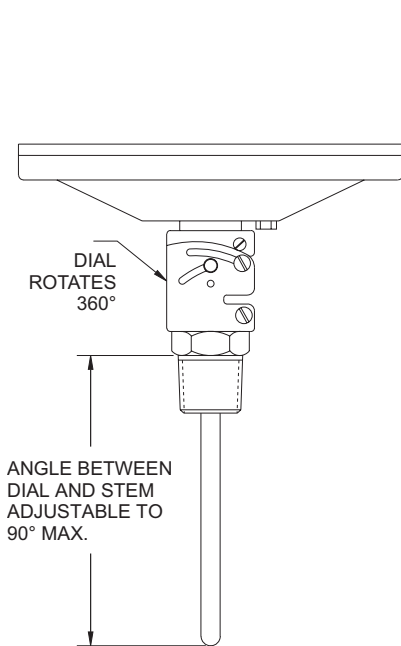
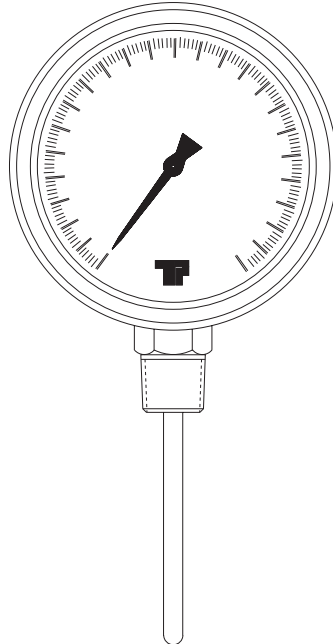


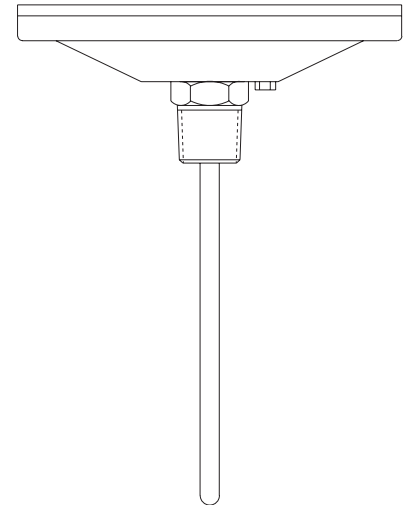
### TYPE 83 Bimetal Thermometers



**Multi-Angle**  
Type 830



**Side Connection**  
Type 831



**Back Connection**  
Type 832

- All SS construction.
- Accuracy within 1% of included range.
- Anti-parallax scale - balanced pointer.
- Overrange protection.
- Dial range to 750°F max.

P/N = 1 2 3 4 5

Where:

- ① Type No.
- ② Specify Range
- ③ Specify Degree °C/°F
- ④ Stem Length
- ⑤ Option Code(s)

		OPTIONS				X = AVAILABLE
LINE #	CODE	DESCRIPTION	MULTI-ANGLE	BACK CONNECTION TYPE	SIDE CONNECTION TYPE	
1	Q	IF CASE TEMPERATURE EXCEEDS 225°F, SPECIFY TEMPERATURE	X	X	X	
2	H	SHATTERPROOF FRONT	X	X	X	
3	F	PLASTIC FRONT	X	X	X	
4	T	TOP CONNECTION			X	
5	B	BOTTOM CONNECTION			X	
6	R	RIGHT SIDE CONNECTION			X	
7	J	LEFT SIDE CONNECTION			X	
8	S	SILICON FILLED	X	X	X	
9	A	EXTERNAL RE-SET AND CALIBRATOR	X	X	X	